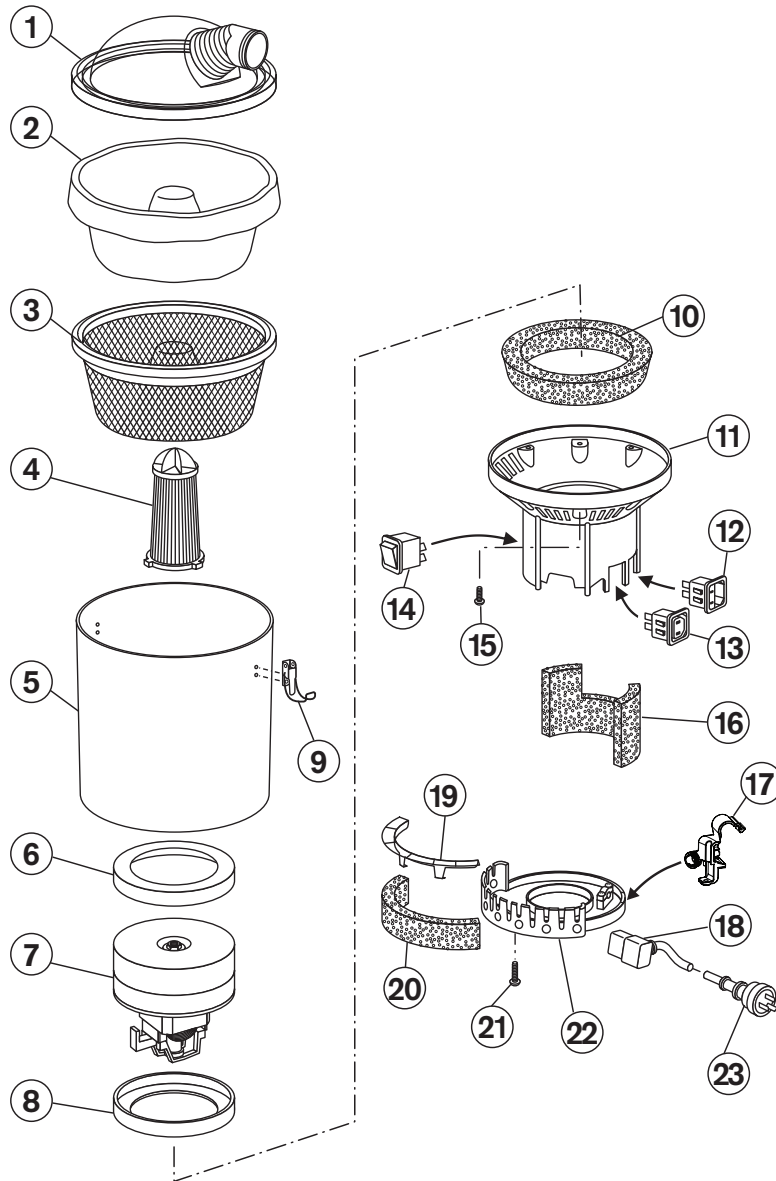


Superpro 700 Parts Profile

Product Number: 200609-005A



Quote these part numbers when ordering spare parts

No.	Part Name	Part No.
1.	Dome lid	KC251
2.	Hypercone paper bag (Packet of 5)	AF101
3.	Hypercone dust bag	KC502HC
4.	Hypercone HEPA filter	KC270
5.	Main vacuum canister	KC252
6.	Motor gasket	KC253
7.	Motor 240V 1000W 2 stage flow through	UP118
8.	Motor gasket	KC253
9.	Toggle latch	KC131
10.	Intermediate noise insulation	PV254
11.	Intermediate housing IEC	KC256IEC
12.	Power inlet C14	KC257IEC3
13.	Power outlet C18	KC257
14.	Switch rocker 12A 250V 5E4	VS261
15.	Screw pan plastite 5x20	N/A
16.	Noise insulation motor	PV255
17.	Short lead holder	KC262H
18.	Short lead IEC type 420mm 10A 3c 1mm ² (AU, NZ)	KC109IEC
19.	Motor filter cage	KC264
20.	External motor filter	PV259
21.	Screw ST 6x25	N/A
22.	Bottom cap	KC258
23.	Extension cord 18m 10A 3c 1mm ² (AU, NZ)	KC11118
Power Cord:		
	UK 18m 10A 3c 1mm ² C13 (UK, SG, IN, AE)	KC108UKIEC
	EU 18m 10A 3c 1mm ² C13 (EU)	KC108EUIEC

Specifications

Volts / Frequency: 220-240V~50Hz
 Motor: 240V 1000W 2 Stage Flow Through
 Noise Level: 66dB(A) ± 3dB(A) (at 1.5m)
 Filtration: 4 stage, 99.99% efficiency at 0.3 micron
 Airflow Volume: 38 litres per sec
 Tank: Capacity: 5 litres
 Weight: 5.0kgs (excluding power cord and hose)

Technical specifications, part numbers and parts profiles are subject to change without notice.